



1121

Astroflame Fireseals Ltd
Unit 8 The I O Centre
Stephenson Road
Segensworth, Fareham
Hampshire, PO15 5RU

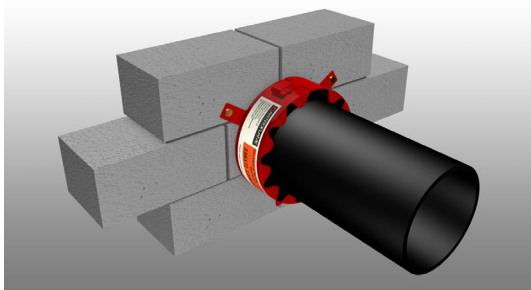
14

1121-CPR-JA5084

ETA-15/0617

ETAG 026-Part 1
ETAG 026-Part 2

ASTRO X SERIES CE PIPE
COLLAR "see ETA-15/0617
for relevant characteristics"



Intended for use out door and indoor
or in conditions exposed to weathering
-20°C to +70°C.



APPROVED

EN13501-1
EN13501-2

EN1366-3:2009

Tehchnical Data Sheet

Astro X-Series CE Pipe Collar

UIC of product-type: XSPC

Issue: 1
September 2015

ASTRO X-SERIES CE PIPE COLLAR®

ETA 15-0617
CE-1121-CPR-JA5084



Unique identification code of product-type: XSPC

Astro X Series CE Collar are designed and tested to seal service penetration apertures containing plastic and metallic pipes, pipes with insulation or cables, using thermoplastic composites based on graphite intumescent technology. Developed to provide a high volume expansion and pressure seal during a fire. The Astro X Series CE Collar offers E1120 and E1240 tested to EN1366-3, the maximum diameter being 250mm, the ultra thin design of Astro X Series CE Collar of the collar shell gives a depth of 30mm and 40mm ensuring that they can be installed into the tightest of locations. Astro X Series CE Collar can be installed on flexible wall, rigid wall, rigid floor constructions and in batt seals. They are compatible with polypropylene (pp), polyethylene (PE) and Polyvinylchloride (PVC) pipes. Astro X Series CE Collar is tested with end capping configurations that cover U/U, C/U, U/C and C/C pipes.

Astro X Series CE Collar is used around combustible pipes to form a penetration seal used to reinstate the fire resistance performance of wall and floor constructions, where they have been provided with apertures for the penetration of combustible pipe services.

Astro X Series CE Collar include an intumescent component incorporated into a mild steel case to close any gaps and joints and provide a closure of combustible pipes when heated and to prevent the passage of fire.

Astro X Series CE Collar are supplied in assembled form, without fixings. The collar is wrapped around the pipe at the soffit or both faces of walls, depending on application

The applicant has submitted a written declaration that the product and/or constituents of the product contains no substances which have been classified as dangerous according to Directive 67/548/EEC and Regulation (EC) No. 1272/2008 and listed in the 'indicative list on dangerous substances' of the EGDS - taking into account the installation conditions of the construction product and the release scenarios resulting from there

In addition to the specific clauses relating to dangerous substances contained in this European Technical Assessment, there may be other requirements applicable to the products falling within its scope (e.g. transposed European legislation and national laws, regulations and administrative provisions). In order to meet the provisions of the Construction Products Regulation, these requirements need also to be complied with, when and where they apply.

The use category of Astro X Series CE Collar in relation to BWR 3 (Hygiene, health and environment) is IA1, S/W3.

External use-ETAG 026-2 (used as European Assessment Document EAD) Type X

Intended Use

The intended use of Astro X Series CE Collar is to reinstate the fire resistance performance of wall and floor constructions, where they are penetrated by various combustible pipe services.

The specific elements of construction that the system Astro X Series CE Collar may be used is as follows

Flexible walls

The wall must have a minimum thickness of 100mm and comprise timber or steel studs line on both faces with minimum 2 layers if 12.5mm thick, 'Type F' Gypsum boards according to EN 520. In timber stud walls, no part of the penetration seal shall be closer than 100mm to a stud, and minimum 100mm of insulation of class A1 or A2 according to EN 13501-1, is provided within the cavity between the penetration seal and the stud.

Rigid walls

The wall must have a minimum thickness of 100mm and comprise of concrete, aerated concrete or masonry, with a minimum density of 650kg/m³

Rigid floor

The floor must have a minimum thickness of 150mm and comprise of concrete, aerated concrete or masonry, with a minimum density of 650kg/m³



Astroflame Ltd
Unit 8, The I O Centre
Stephenson Road
Segensworth, Fareham
Hampshire, PO15 5RU

Tel: +44 (0) 1329 844500
Fax: +44 (0) 1329 844600
Email: sales@astroflame.com
Website: www.astroflame.com



**ASTRO X-SERIES
CE PIPE COLLAR®**

ETA 15-0617
CE-1121-CPR-JA5084



Unique identification code of product-type: XSPC

The supporting construction must be classified in accordance with EN 13501-2 for the required fire resistance period

The system Astro X Series CE Collar may be used to provide a penetration seal with specific combustible pipes, single only (for details see Annex A)

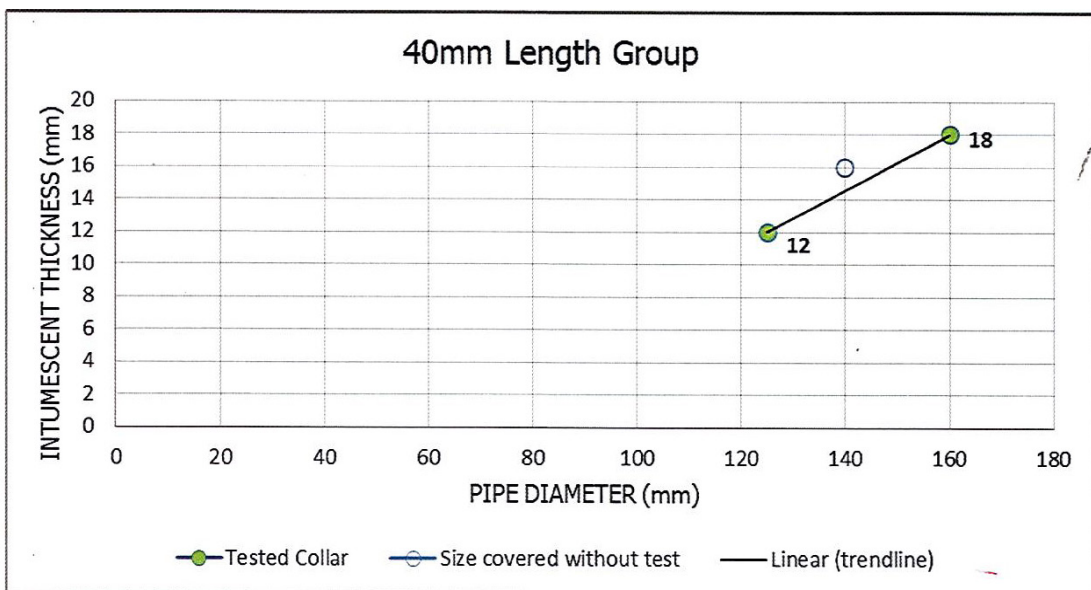
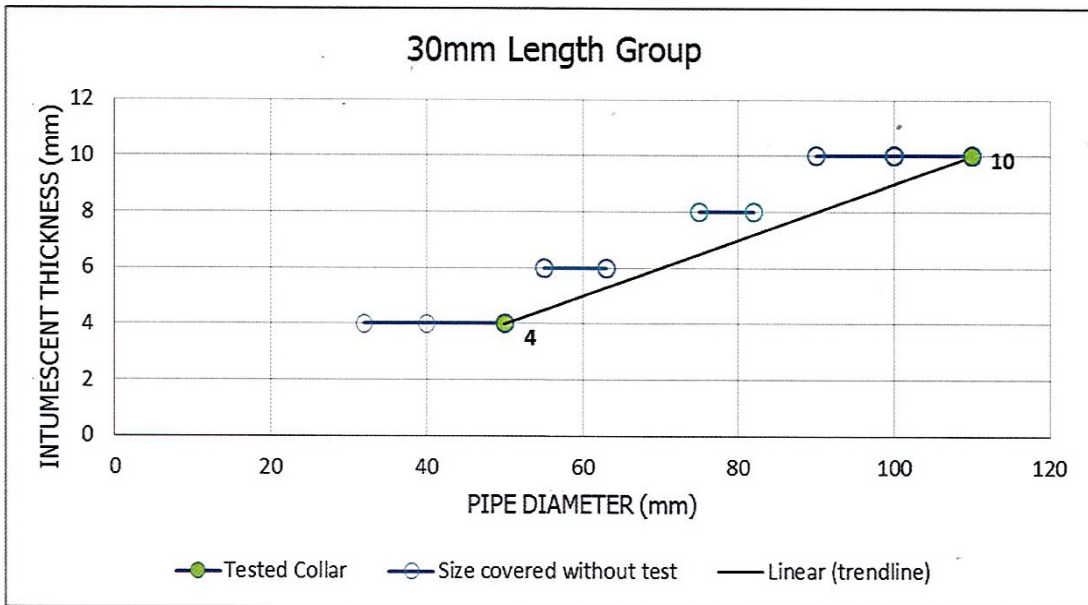
Apertures in the separating element shall be maximum 10mm diameter oversize with respect to the pipe diameter. The remaining annular space/gap shall be infilled with Astro Intu Mastic for the purpose of providing a smoke seal. Apertures for the penetration of pipes shall be separated by a minimum of 200mm

The provisions made in this European Technical Assessment are based on an assumed working life of the system Astro X Series CE Collar of 10 years, The indications given on working life cannot be interpreted as a guarantee given by the producer, but are to be regarded only as a means for choosing the right products in relation to the expected economically reasonable working life of the works

Use Category

Type X: Intended for use in conditions exposed to weathering

Astro X Series CE Collar Design Group Graphs



Astroflame Ltd
Unit 8, The I O Centre
Stephenson Road
Segensworth, Fareham
Hampshire, PO15 5RU

Tel: +44 (0) 1329 844500
Fax: +44 (0) 1329 844600
Email: sales@astroflame.com
Website: www.astroflame.com



Unique identification code of product-type: XSPC

Performance Of The Product And References To The Methods Used For Used For Its Assessment

Product Type: Collar		Intended use: Pipe Closure Device
Basic requirement for construction work	Basic Requirement	Performance
BWR 1 Mechanical resistance and stability		
	None	Not relevant
BWR 2 Safety in case of fire		
EN 1350-1	Reaction to fire	Class E
EN 13501-2	Resistance to fire	Annex A
BWR 3 Hygiene, Health and the Environment		
EN 1026:2000	Air permeability	Not Relevant
ETAG 026-3 Annex C	Water permeability	Not Relevant
Declaration by manufacturer	Release of dangerous substances	Use category IA1, S/W3 Declaration of manufacturer
BWR 4 Safety in use		
EOTA TR 001:2003	Mechanical resistance and stability	No performance determined
EOTA TR 001:2003	Resistance to impact / movement	No performance determined
EOTA TR 001:2003	Adhesion	No performance determined
BWR 5 Protection against noise		
EN 10140-2/ EN ISO 717-1	Airborne sound insulation	No performance determined
BWR 6 Energy, Economy and Heat Retention		
EN 12664, EN 12667 or EN 12939	Thermal properties	No performance determined
EN ISO 12572 EN 12086	Water vapour permeability	No performance determined
General aspects relating to fitness for use		
EOTA TR 024: 2009	Durability and serviceability	X

Assessment And Verification Of Constancy Of Performance (Hereinafter AVCP) System Applied, With References To Its Legal base

According to the decision 1999/454/EC of the European Commission the system of assessment and verification of constancy of performance (see the Regulation (EU) No 305/2011) given in the following table apply:

Products	Intended uses	level or Class	System
Fire stopping and fire sealing products	For fire compartmentation and / or fire protection or fire performance	Any	System 1



**ASTRO X-SERIES
CE PIPE COLLAR**

ETA 15-0617
CE-1121-CPR-JA5084



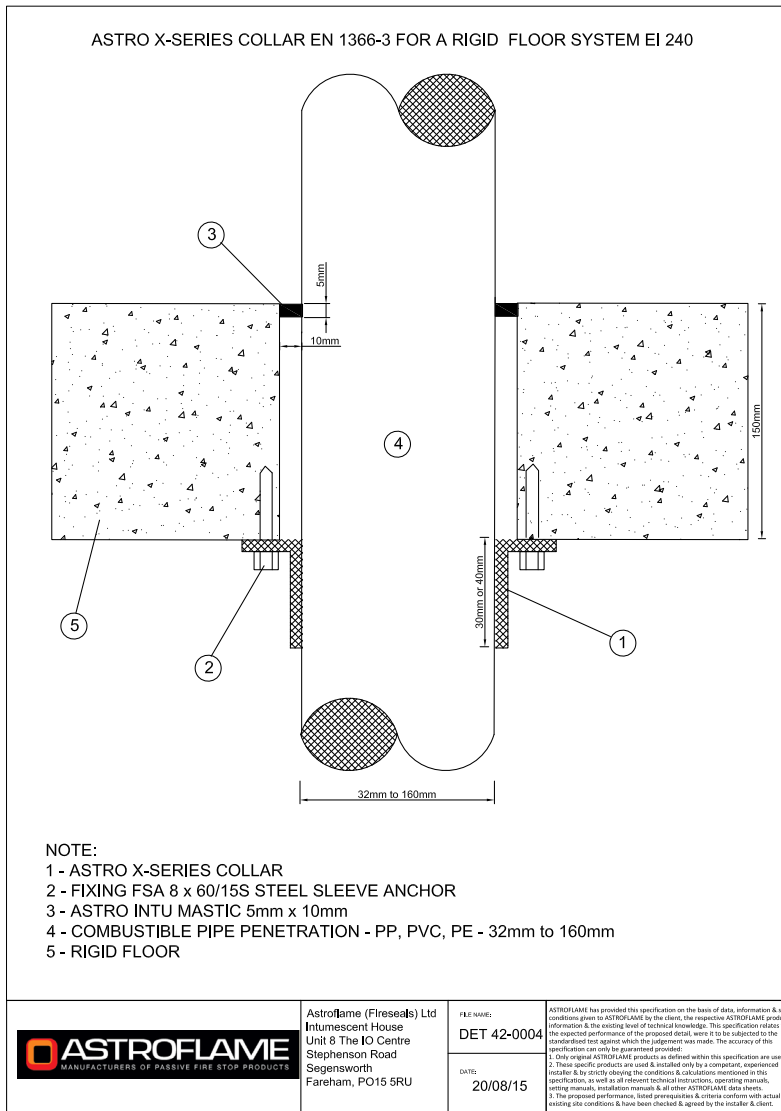
Unique identification code of product-type: XSPC

Resistance to Fire Classification of Astro X Series CE Collar

Floor construction with thickness of minimum 150mm

Penetration seal with Astro X Series CE Collar fixed to the underside of rigid floor

Construction details: Combustible pipes fitted with a single Astro X Series CE Collar to the underside. Maximum 10mm annular space filled with Astro Intu Mastic.



Astroflame Ltd
 Unit 8, The IO Centre
 Stephenson Road
 Segensworth, Fareham
 Hampshire, PO15 5RU

Tel: +44 (0) 1329 844500
 Fax: +44 (0) 1329 844600
 Email: sales@astroflame.com
 Website: www.astroflame.com



ASTRO X-SERIES CE PIPE COLLAR®

ETA 15-0617
CE-1121-CPR-JA5084



Unique identification code of product-type: XSPC

PVC-U pipes with Astro X Series CE Collar fixed to the underside of rigid floor

PVC-U pipes according to EN 1452 with Astro X Series CE Collar

Astro X Series CE Collar, Face Fixed on the Underside of Rigid Floor (min 150mm thick) PP Pipes					
Penetration Specification	Collar Reference	Intumescent Material	Annulus Space (mm)	Collar Fixing	Classification
PVC Pipe 32mm ϕ 1.8mm wall thickness	32 mm Astro X Series CE Collar	30 mm (W) x 4mm (T)	10	Face fixed on the underside of rigid floor with 3No. Fischer FSA ϕ 8 x 60mm long, with M6 hexagon head bolts	EI 240 U/C
PVC Pipe 40mm ϕ 1.8mm wall thickness	40 mm Astro X Series CE Collar				
PVC Pipe 50mm ϕ 1.8mm wall thickness	50 mm Astro X Series CE Collar				
PVC Pipe 55mm ϕ 2.3 - 3.0mm wall thickness	55 mm Astro X Series CE Collar	30 mm (W) x 6mm (T)			
PVC Pipe 63mm ϕ 2.3 - 3.0mm wall thickness	63 mm Astro X Series CE Collar				
PVC Pipe 75mm ϕ 3.1 - 4.8mm wall thickness	75 mm Astro X Series CE Collar	30 mm (W) x 8mm (T)			
PVC Pipe 82mm ϕ 3.1 - 4.8mm wall thickness	82 mm Astro X Series CE Collar				
PVC Pipe 90mm 4.2 - 7.4mm wall thickness	90 mm Astro X Series CE Collar	30 mm (W) x 10mm (T)			
PVC Pipe 100mm ϕ 4.2 - 7.4mm wall thickness	100 mm Astro X Series CE Collar				
PVC Pipe 110mm ϕ 4.2 - 7.2mm wall thickness	110 mm Astro X Series CE Collar				
PVC Pipe 125mm ϕ 6.0mm wall thickness	125 mm Astro X Series CE Collar	40 mm (W) x 12mm (T)			
PVC Pipe 140mm ϕ 6.1 - 7.5mm wall thickness	140 mm Astro X Series CE Collar	40 mm (W) x 16mm (T)			
PVC Pipe 160mm ϕ 6.2 - 9.5mm wall thickness	160 mm Astro X Series CE Collar	40 mm (W) x 18mm (T)			



Astroflame Ltd
Unit 8, The I O Centre
Stephenson Road
Segensworth, Fareham
Hampshire, PO15 5RU

Tel: +44 (0) 1329 844500
Fax: +44 (0) 1329 844600
Email: sales@astroflame.com
Website: www.astroflame.com



ASTRO X-SERIES CE PIPE COLLAR®

ETA 15-0617
CE-1121-CPR-JA5084



Unique identification code of product-type: XSPC

PP pipes with Astro X Series CE Collar fixed to the underside of rigid floor

PP pipes according to EN 1451 with Astro X Series CE Collar

Astro X Series CE Collar, Face Fixed on the Underside of Rigid Floor (min 150mm thick) PP Pipes					
Penetration Specification	Collar Reference	Intumescent Material	Annulus Space (mm)	Collar Fixing	Classification
PP Pipe 32mm \varnothing 2.9mm wall thickness	32 mm Astro X Series CE Collar	30 mm (W) x 4mm (T)	10	Face fixed on the underside of rigid floor with 3No. Fischer FSA \varnothing 8 x 60mm long, with M6 hexagon head bolts	EI 240 U/C
PP Pipe 40mm \varnothing 2.9mm wall thickness	40 mm Astro X Series CE Collar				
PP Pipe 50mm \varnothing 2.9mm wall thickness	50 mm Astro X Series CE Collar				
PP Pipe 55mm \varnothing 2.9 - 4.4mm wall thickness	55 mm Astro X Series CE Collar	30 mm (W) x 6mm (T)			
PP Pipe 63mm \varnothing 2.9 - 4.4mm wall thickness	63 mm Astro X Series CE Collar				
PP Pipe 75mm \varnothing 2.8 - 6,7mm wall thickness	75 mm Astro X Series CE Collar	30 mm (W) x 8mm (T)			
PP Pipe 82mm \varnothing 2.8 - 6.7mm wall thickness	82 mm Astro X Series CE Collar				
PP Pipe 90mm \varnothing 2.7 - 10.0mm wall thickness	90 mm Astro X Series CE Collar	30 mm (W) x 10mm (T)			
PP Pipe 100mm \varnothing 2.7 - 10.0mm wall thickness	100 mm Astro X Series CE Collar				
PP Pipe 110mm \varnothing 2.7 - 10.0mm wall thickness	110 mm Astro X Series CE Collar				
PP Pipe 125mm \varnothing 3.1mm wall thickness	125 mm Astro X Series CE Collar	40 mm (W) x 12mm (T)			
PP Pipe 140mm \varnothing 3.5 - 8.0mm wall thickness	140 mm Astro X Series CE Collar	40 mm (W) x 16mm (T)			
PP Pipe 160mm \varnothing 4.0 - 14.6mm wall thickness	160 mm Astro X Series CE Collar	40 mm (W) x 18mm (T)			



Astroflame Ltd
Unit 8, The I O Centre
Stephenson Road
Segensworth, Fareham
Hampshire, PO15 5RU

Tel: +44 (0) 1329 844500
Fax: +44 (0) 1329 844600
Email: sales@astroflame.com
Website: www.astroflame.com



ASTRO X-SERIES CE PIPE COLLAR®

ETA 15-0617
CE-1121-CPR-JA5084



Unique identification code of product-type: XSPC

PE pipes with Astro X Series CE Collar fixed to the underside of rigid floor

PE pipes according to DIN 8047/8075 and EN ISO 15494 with Astro X Series CE Collar

Astro X Series CE Collar, Face Fixed on the Underside of Rigid Floor (min 150mm thick) PP Pipes					
Penetration Specification	Collar Reference	Intumescent Material	Annulus Space (mm)	Collar Fixing	Classification
PE Pipe 32mm \varnothing 2.9mm wall thickness	32 mm Astro X Series CE Collar	30 mm (W) x 4mm (T)	10	Face fixed on the underside of rigid floor with 3No. Fischer FSA \varnothing 8 x 60mm long, with M6 hexagon head bolts	EI 240 U/C
PE Pipe 40mm \varnothing 2.9mm wall thickness	40 mm Astro X Series CE Collar				
PE Pipe 50mm \varnothing 2.9mm wall thickness	50 mm Astro X Series CE Collar				
PE Pipe 55mm \varnothing 2.9 - 4.4mm wall thickness	55 mm Astro X Series CE Collar	30 mm (W) x 6mm (T)			
PE Pipe 63mm \varnothing 2.9 - 4.4mm wall thickness	63 mm Astro X Series CE Collar				
PE Pipe 75mm \varnothing 2.8 - 6.7mm wall thickness	75 mm Astro X Series CE Collar	30 mm (W) x 8mm (T)			
PE Pipe 82mm \varnothing 2.8 - 6.7mm wall thickness	82 mm Astro X Series CE Collar				
PE Pipe 90mm \varnothing 2.7 - 10.0mm wall thickness	90 mm Astro X Series CE Collar	30 mm (W) x 10mm (T)			
PE Pipe 100mm \varnothing 2.7 - 10.0mm wall thickness	100 mm Astro X Series CE Collar				
PE Pipe 110mm \varnothing 2.7 - 10.0mm wall thickness	110 mm Astro X Series CE Collar				
PE Pipe 125mm \varnothing 3.1mm wall thickness	125 mm Astro X Series CE Collar	40 mm (W) x 12mm (T)			
PE Pipe 140mm \varnothing 3.9 - 5.8mm wall thickness	140 mm Astro X Series CE Collar	40 mm (W) x 16mm (T)			
PE Pipe 160mm \varnothing 4.9 - 9.5mm wall thickness	160 mm Astro X Series CE Collar	40 mm (W) x 18mm (T)			



Astroflame Ltd
Unit 8, The I O Centre
Stephenson Road
Segensworth, Fareham
Hampshire, PO15 5RU

Tel: +44 (0) 1329 844500
Fax: +44 (0) 1329 844600
Email: sales@astroflame.com
Website: www.astroflame.com



**ASTRO X-SERIES
CE PIPE COLLAR®**

ETA 15-0617
CE-1121-CPR-JA5084



Unique identification code of product-type: XSPC

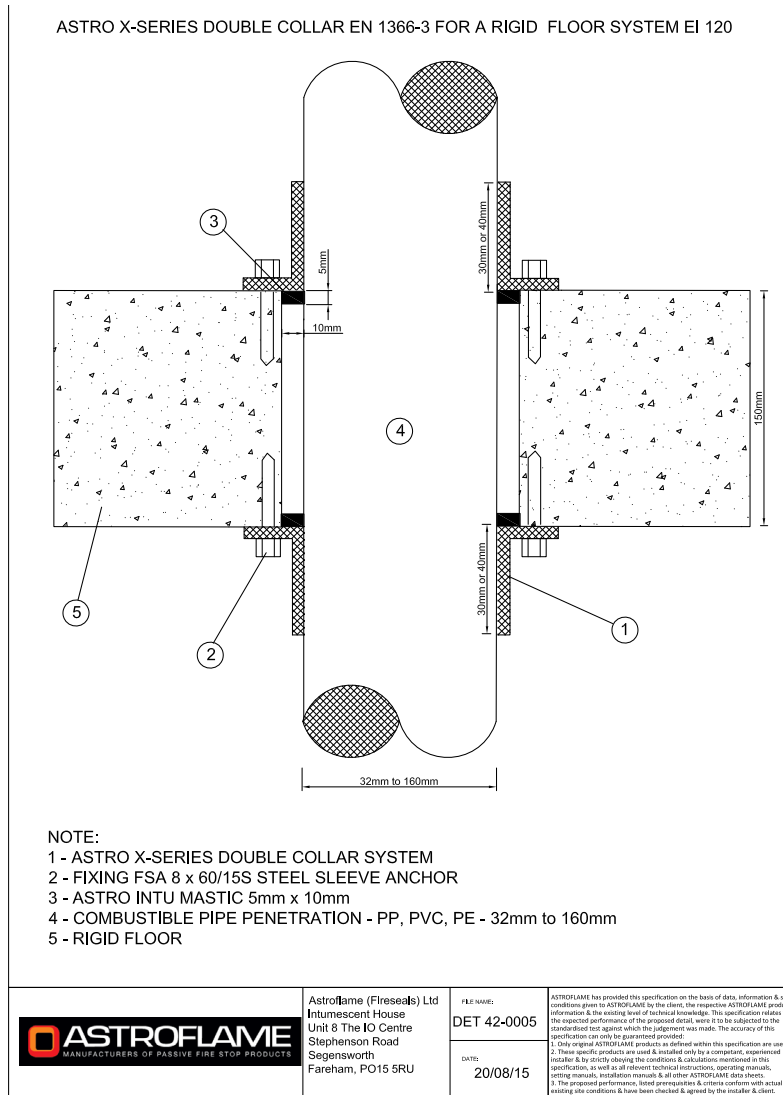
Penetration seal with Astro X Series CE Collar fixed to both sides of rigid floor

Construction details: Combustible pipes fitted with a single Astro X Series CE Collar to both sides. Maximum 10mm annular space filled with Astro Intu Mastic

Penetration seal with Astro X Series CE Collar fixed to both sides of rigid floor

PP pipes according to EN 1451 with Astro X Series CE Collar

Astro X Series CE Collar, Face Fixed on the Underside of Rigid Floor (min 150mm thick) PP Pipes					
Penetration Specification	Collar Reference	Intumescent Material	Annulus Space (mm)	Collar Fixing	Classification
PP Pipe 110mm ϕ 2.7mm wall thickness	110mm Astro X Series CE Collar	30mm (W) x 10mm (T)	10	Face fixed on the underside of rigid floor with 3No. Fischer FSA ϕ 8 x 60mm long, with M6 hexagon head bolts	EI 120 U/U
PP Pipe 160mm ϕ 4.0mm wall thickness	160mm Astro X Series CE Collar	40mm (W) x 16mm (T)			EI 120 C/U



Astroflame Ltd
Unit 8, The IO Centre
Stephenson Road
Segensworth, Fareham
Hampshire, PO15 5RU

Tel: +44 (0) 1329 844500
 Fax: +44 (0) 1329 844600
 Email: sales@astroflame.com
 Website: www.astroflame.com



**ASTRO X-SERIES
CE PIPE COLLAR®**

ETA 15-0617
CE-1121-CPR-JA5084

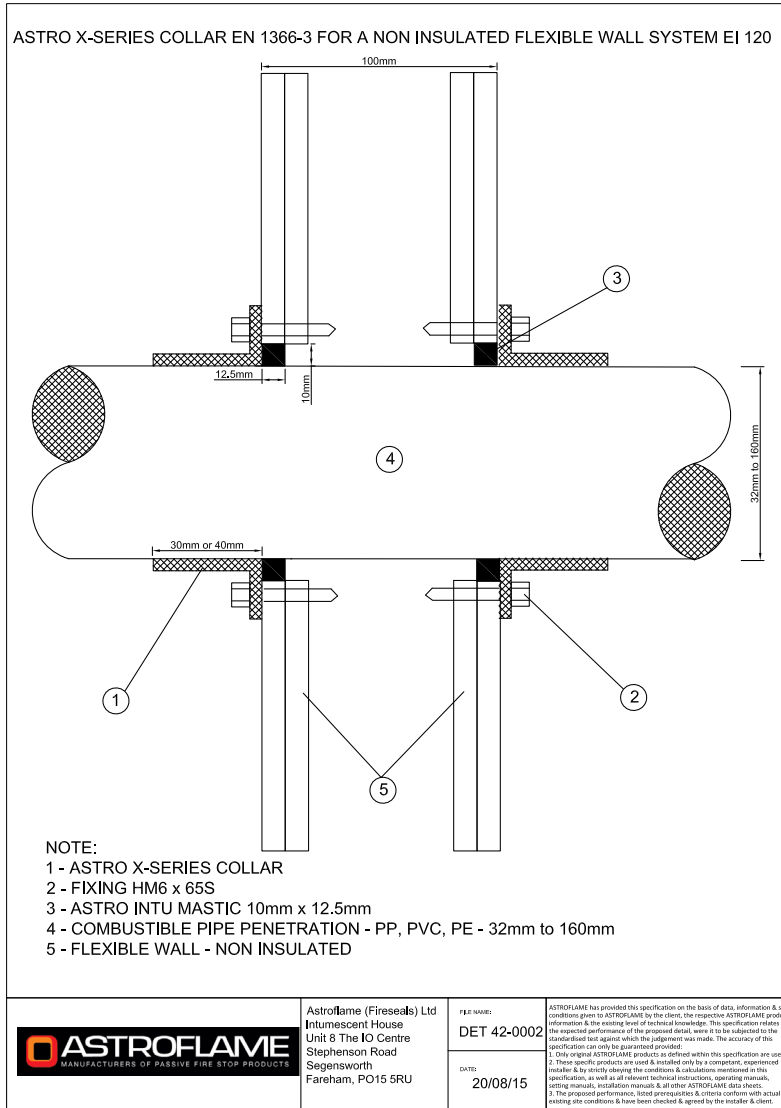


Unique identification code of product-type: XSPC

Wall construction with thickness of minimum 100mm

Penetration seal with Astro X Series CE Collar fixed to both sides of flexible or rigid wall

Construction details: Combustible pipes fitted with a single Astro X Series CE Collar to both sides Maximum 10mm annular space filled with Astro Intu Mastic.



Astroflame Ltd
 Unit 8, The IO Centre
 Stephenson Road
 Segensworth, Fareham
 Hampshire, PO15 5RU

Tel: +44 (0) 1329 844500
 Fax: +44 (0) 1329 844600
 Email: sales@astroflame.com
 Website: www.astroflame.com

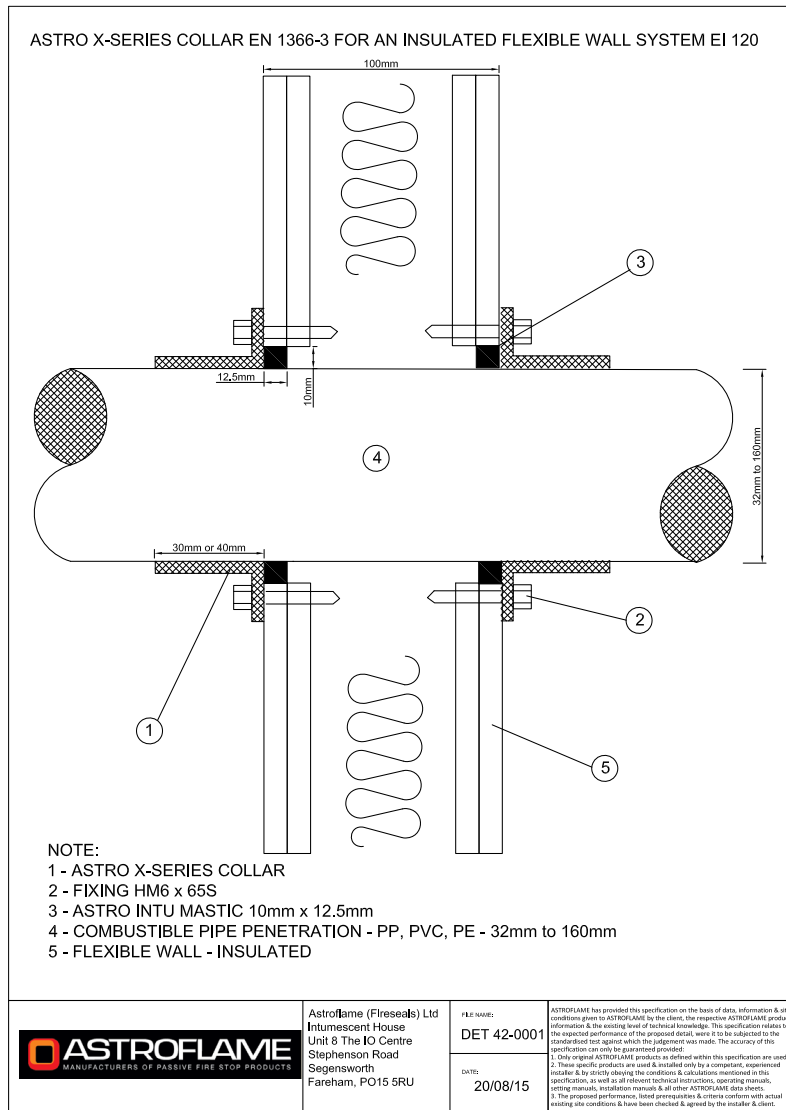


**ASTRO X-SERIES
CE PIPE COLLAR®**

ETA 15-0617
CE-1121-CPR-JA5084



Unique identification code of product-type: XSPC



Astroflame Ltd
Unit 8, The IO Centre
Stephenson Road
Segensworth, Fareham
Hampshire, PO15 5RU

Tel: +44 (0) 1329 844500
Fax: +44 (0) 1329 844600
Email: sales@astroflame.com
Website: www.astroflame.com

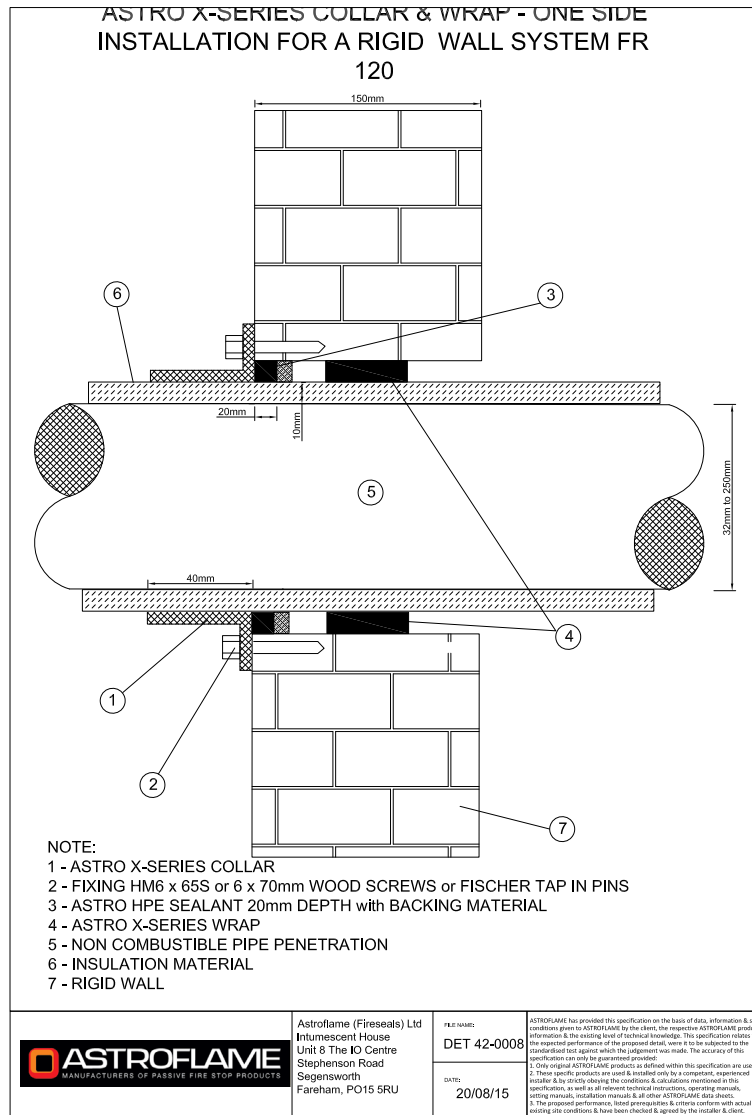


**ASTRO X-SERIES
CE PIPE COLLAR®**

ETA 15-0617
CE-1121-CPR-JA5084



Unique identification code of product-type: XSPC



Astroflame Ltd
Unit 8, The IO Centre
Stephenson Road
Segensworth, Fareham
Hampshire, PO15 5RU

Tel: +44 (0) 1329 844500
Fax: +44 (0) 1329 844600
Email: sales@astroflame.com
Website: www.astroflame.com



ASTRO X-SERIES CE PIPE COLLAR®

ETA 15-0617
CE-1121-CPR-JA5084



Unique identification code of product-type: XSPC

PVC-U pipes with Astro X Series CE Collar fixed to both sides of flexible or rigid wall

PVC-U pipes according to EN1452 with Astro X Series CE Collar

Astro X Series CE Collar, Face Fixed on the Underside of Rigid Floor (min 150mm thick) PVC-U Pipes					
Penetration Specification	Collar Reference	Intumescent Material	Annulus Space (mm)	Collar Fixing	Classification
PVC Pipe 32mm ϕ 1.8mm wall thickness	32 mm Astro X Series CE Collar	30 mm (W) x 4mm (T)	10	Fixed on both sides of the wall a 6mm x 65mm long HM 6 x 65 S, steel toggle anchor	EI 120 U/C
PVC Pipe 40mm ϕ 1.8mm wall thickness	40 mm Astro X Series CE Collar				
PVC Pipe 50mm ϕ 1.8mm wall thickness	50 mm Astro X Series CE Collar				
PVC Pipe 55mm ϕ 2.3 - 3.0mm wall thickness	55 mm Astro X Series CE Collar	30 mm (W) x 6mm (T)			
PVC Pipe 63mm ϕ 2.3 - 3.0mm wall thickness	63 mm Astro X Series CE Collar				
PVC Pipe 75mm ϕ 3.1 - 4.8mm wall thickness	75 mm Astro X Series CE Collar	30 mm (W) x 8mm (T)			
PVC Pipe 82mm ϕ 3.1 - 4.8mm wall thickness	82 mm Astro X Series CE Collar				
PVC Pipe 90mm 4.2 - 7.4mm wall thickness	90 mm Astro X Series CE Collar	30 mm (W) x 10mm (T)			
PVC Pipe 100mm ϕ 4.2 - 7.4mm wall thickness	100 mm Astro X Series CE Collar				
PVC Pipe 110mm ϕ 4.2 - 7.2mm wall thickness	110 mm Astro X Series CE Collar				
PVC Pipe 125mm ϕ 6.0mm wall thickness	125 mm Astro X Series CE Collar	40 mm (W) x 12mm (T)			
PVC Pipe 140mm ϕ 6.1 - 7.5mm wall thickness	140 mm Astro X Series CE Collar	40 mm (W) x 16mm (T)			
PVC Pipe 160mm ϕ 6.2 - 9.5mm wall thickness	160 mm Astro X Series CE Collar	40 mm (W) x 18mm (T)			



Astroflame Ltd
Unit 8, The I O Centre
Stephenson Road
Segensworth, Fareham
Hampshire, PO15 5RU

Tel: +44 (0) 1329 844500
Fax: +44 (0) 1329 844600
Email: sales@astroflame.com
Website: www.astroflame.com



ASTRO X-SERIES CE PIPE COLLAR®

ETA 15-0617
CE-1121-CPR-JA5084



Unique identification code of product-type: XSPC

PP pipes with Astro X Series CE Collar fixed to both sides of flexible or rigid wall

PP pipes according to EN 1451 with Astro X Series CE Collar

Astro X Series CE Collar, Face Fixed on the Underside of Rigid Floor (min 150mm thick) PP Pipes					
Penetration Specification	Collar Reference	Intumescent Material	Annulus Space (mm)	Collar Fixing	Classification
PP Pipe 32mm \varnothing 2.9mm wall thickness	32 mm Astro X Series CE Collar	30 mm (W) x 4mm (T)	10	Fixed on both sides of the wall with a 6mm x 65mm long Fischer HM 6x65 S, steel toggle anchor	EI 120 U/C
PP Pipe 40mm \varnothing 2.9mm wall thickness	40 mm Astro X Series CE Collar				
PP Pipe 50mm \varnothing 2.9mm wall thickness	50 mm Astro X Series CE Collar				
PP Pipe 55mm \varnothing 2.9 - 4.4mm wall thickness	55 mm Astro X Series CE Collar	30 mm (W) x 6mm (T)			
PP Pipe 63mm \varnothing 2.9 - 4.4mm wall thickness	63 mm Astro X Series CE Collar				
PP Pipe 75mm \varnothing 2.8 - 6,7mm wall thickness	75 mm Astro X Series CE Collar	30 mm (W) x 8mm (T)			
PP Pipe 82mm \varnothing 2.8 - 6.7mm wall thickness	82 mm Astro X Series CE Collar				
PP Pipe 90mm \varnothing 2.7 - 10.0mm wall thickness	90 mm Astro X Series CE Collar	30 mm (W) x 10mm (T)			
PP Pipe 100mm \varnothing 2.7 - 10.0mm wall thickness	100 mm Astro X Series CE Collar				
PP Pipe 110mm \varnothing 2.7 - 10.0mm wall thickness	110 mm Astro X Series CE Collar				
PP Pipe 125mm \varnothing 3.1mm wall thickness	125 mm Astro X Series CE Collar	40 mm (W) x 12mm (T)			
PP Pipe 140mm \varnothing 3.5 - 8.0mm wall thickness	140 mm Astro X Series CE Collar	40 mm (W) x 16mm (T)			
PP Pipe 160mm \varnothing 4.0 -14.6mm wall thickness	160 mm Astro X Series CE Collar	40 mm (W) x 18mm (T)			



Astroflame Ltd
Unit 8, The I O Centre
Stephenson Road
Segensworth, Fareham
Hampshire, PO15 5RU

Tel: +44 (0) 1329 844500
Fax: +44 (0) 1329 844600
Email: sales@astroflame.com
Website: www.astroflame.com



ASTRO X-SERIES CE PIPE COLLAR®

ETA 15-0617
CE-1121-CPR-JA5084



Unique identification code of product-type: XSPC

PE pipes with Astro X Series CE Collar fixed to both sides of flexible or rigid wall

PE pipes according to DIN 8047/8075 and EN ISO 15494 with Astro X Series CE Collar

Astro X Series CE Collar, Face Fixed on the Underside of Rigid Floor (min 150mm thick) PE Pipes					
Penetration Specification	Collar Reference	Intumescent Material	Annulus Space (mm)	Collar Fixing	Classification
PE Pipe 32mm ϕ 2.9mm wall thickness	32 mm Astro X Series CE Collar	30 mm (W) x 4mm (T)	10	Fixed on both sides of the wall a 6mm x 65mm long Fischer HM 6x65 S, steel toggle anchor	EI 120 U/C
PE Pipe 40mm ϕ 2.9mm wall thickness	40 mm Astro X Series CE Collar				
PE Pipe 50mm ϕ 2.9mm wall thickness	50 mm Astro X Series CE Collar				
PE Pipe 55mm ϕ 2.9 - 4.4mm wall thickness	55 mm Astro X Series CE Collar	30 mm (W) x 6mm (T)			
PE Pipe 63mm ϕ 2.9 - 4.4mm wall thickness	63 mm Astro X Series CE Collar				
PE Pipe 75mm ϕ 2.8 - 6.7mm wall thickness	75 mm Astro X Series CE Collar	30 mm (W) x 8mm (T)			
PE Pipe 82mm ϕ 2.8 - 6.7mm wall thickness	82 mm Astro X Series CE Collar				
PE Pipe 90mm ϕ 2.7 - 10.0mm wall thickness	90 mm Astro X Series CE Collar	30 mm (W) x 10mm (T)			
PE Pipe 100mm ϕ 2.7 - 10.0mm wall thickness	100 mm Astro X Series CE Collar				
PE Pipe 110mm ϕ 2.7 - 10.0mm wall thickness	110 mm Astro X Series CE Collar				
PE Pipe 125mm ϕ 3.1mm wall thickness	125 mm Astro X Series CE Collar	40 mm (W) x 12mm (T)			
PE Pipe 140mm ϕ 3.9 - 5.8mm wall thickness	140 mm Astro X Series CE Collar	40 mm (W) x 16mm (T)			
PE Pipe 160mm ϕ 4.9 - 9.5mm wall thickness	160 mm Astro X Series CE Collar	40 mm (W) x 18mm (T)			



Astroflame Ltd
Unit 8, The I O Centre
Stephenson Road
Segensworth, Fareham
Hampshire, PO15 5RU

Tel: +44 (0) 1329 844500
Fax: +44 (0) 1329 844600
Email: sales@astroflame.com
Website: www.astroflame.com



ASTRO X-SERIES CE PIPE COLLAR®

ETA 15-0617
CE-1121-CPR-JA5084



Unique identification code of product-type: XSPC

Penetration seal with Astro X Series CE Collar fixed to both sides of rigid wall

Constructions details: Combustible pipes fitted with a single Astro X Series CE Collar to both sides. Maximum 10mm annular space filled with Astro Intu Mastic

PP pipes with Astro X Series CE Collar fixed to both sides of rigid wall

PP pipes according to En 1451 with Astro X Series CE Collar

Astro X Series CE Collar, Face Fixed on the Underside of Rigid Floor (min 150mm thick) PP Pipes					
Penetration Specification	Collar Reference	Intumescent Material	Annulus Space (mm)	Collar Fixing	Classification
PP Pipe 110mm ϕ 2.7mm wall thickness	110 mm Astro X Series CE Collar	30 mm (W) x 10mm (T)	10	Fixed on both faces of the wall with 3No. 40mm Fischer pins	EI 120 U/U
PP Pipe 160mm ϕ 4.0mm wall thickness	160 mm Astro X Series CE Collar	40 mm (W) x 18mm (T)		Fixed on both faces of the wall with 3No. ϕ 4 x 70mm wood screws and penny washers	EI 120 U/U
PP Pipe 250mm ϕ 6.2mm wall thickness	250 mm Astro X Series CE Collar	40 mm (W) x 24mm (T)		EI 120 U/C	



Astroflame Ltd
Unit 8, The I O Centre
Stephenson Road
Segensworth, Fareham
Hampshire, PO15 5RU

Tel: +44 (0) 1329 844500
Fax: +44 (0) 1329 844600
Email: sales@astroflame.com
Website: www.astroflame.com

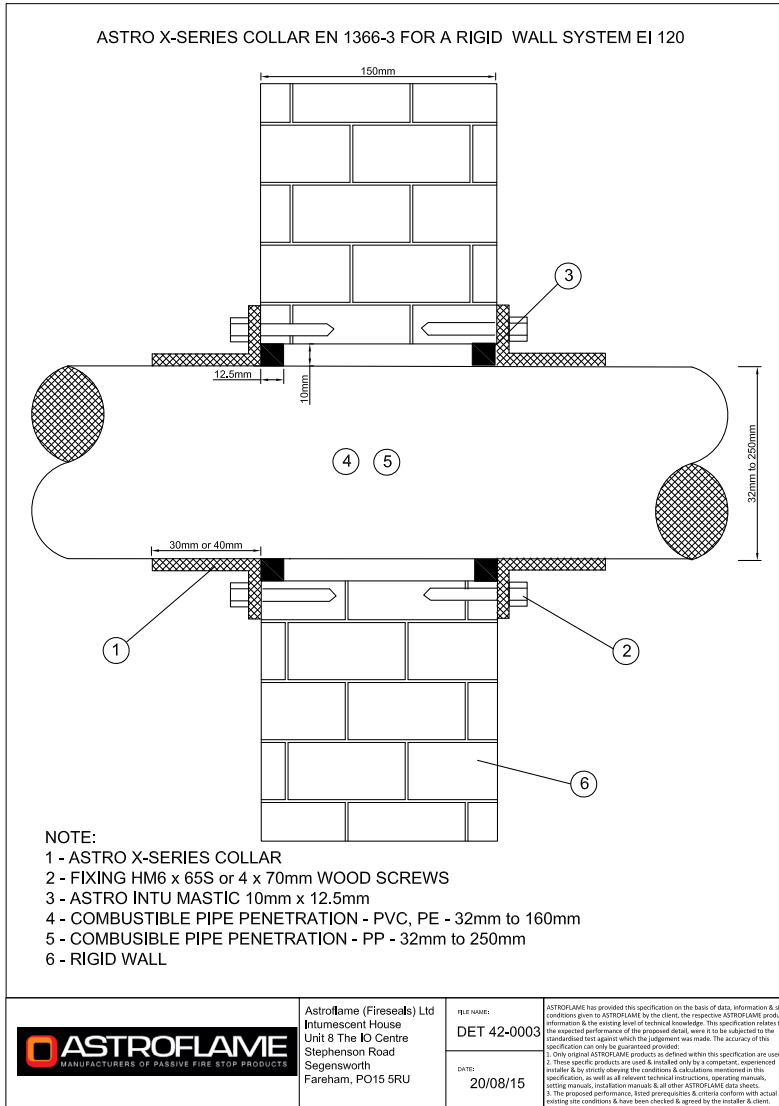


**ASTRO X-SERIES
CE PIPE COLLAR®**

ETA 15-0617
CE-1121-CPR-JA5084



Unique identification code of product-type: XSPC



Astroflame Ltd
Unit 8, The IO Centre
Stephenson Road
Segensworth, Fareham
Hampshire, PO15 5RU

Tel: +44 (0) 1329 844500
Fax: +44 (0) 1329 844600
Email: sales@astroflame.com
Website: www.astroflame.com



ASTRO X-SERIES CE PIPE COLLAR®

Unique identification code of product-type: XSPC



This approval relates to the use of Astro X Series CE Pipe Collar for the fire protection where services are penetrating walls. The detailed scope is given in the Approval Matrix included in this Certificate. This shows the thickness and acceptable services for Astro X Series CE Pipe Collar required to provide fire resistance periods in accordance with BS EN 1366-3: 2009 of up to 240 minutes for differing services and substrate constructions. The scope of certification complies with the guidelines stated in the ASFP Red Book: 3rd Edition for 3rd party certification schemes.

2. This certification is designed to demonstrate compliance of the product or system specifically with Approved Document B (England and Wales), Section 2 of the Technical Standards (Scotland), Technical Booklet E (N. Ireland). If compliance is required to other regulatory or guidance documents there may be additional considerations or conflict to be taken into account.'

3. The product is approved on the basis of:

- i) Initial type testing
- ii) Audit testing at the frequency specified in TS03
- iii) A design appraisal against TS03
- iv) Inspection and surveillance of factory production control

4. The walls shall be at least 100 mm thick and have at least the same fire rating as that required for the penetration seal. The floors shall be at least 150 mm thick and have at least the same fire rating as that required for the penetration seal

5. The services which may be fitted through the seals are PVC, ABS, PP and HDPE pipes of various sizes, as detailed within the Approval Matrix included in this Certificate.

6. The approval relates to ongoing production. Product and/or its immediate packaging is identified with the manufacturers' name, the product name or number, the CERTIFIRE name or name and mark, together with the CERTIFIRE certificate number and application where appropriate.



Astroflame Ltd
Unit 8, The I O Centre
Stephenson Road
Segensworth, Fareham
Hampshire, PO15 5RU

Tel: +44 (0) 1329 844500
Fax: +44 (0) 1329 844600
Email: sales@astroflame.com
Website: www.astroflame.com



ASTRO X-SERIES CE PIPE COLLAR®

Unique identification code of product-type: XSPC



Astro X Series CE Collar - Approval Matrix Floors 150mm

Product Name:		Astro X Series CE Collar - Installed Underside 150mm thick Rigid Floor		
Penetration Specification (PVC-U Pipes)	Collar Ref Astro X Series CE Collar	Intumescent Material (mm)	Integrity	Insulation
32mm ø 1.8mm wall thickness	32mm	30 x 4	240 mins	240 mins
40mm ø 1.8mm wall thickness	40mm			
50mm ø 1.8mm wall thickness	50mm			
55mm ø 2.3 - 3mm wall thickness	55mm	30 x 6		
63mm ø 2.3 - 3mm wall thickness	63mm			
75mm ø 3.1 - 4.8mm wall thickness	75mm	30 x 8		
82mm ø 3.1 - 4.8mm wall thickness	82mm			
90mm ø 4.2 - 7.4mm wall thickness	90mm	30 x 10		
100mm ø 4.2 - 7.4mm wall thickness	100mm			
110mm ø 4.2 - 7.4mm wall thickness	110mm			
125mm ø 6mm wall thickness	125mm	40 x 12		
140mm ø 6.1 - 7.5mm wall thickness	140mm	40 x 16		
160mm ø 6.2 - 9.5mm wall thickness	160mm	40 x 18		
* Performance in accordance with BS EN 1366-3: 2009				
Maximum Annulus:	10mm filled with min 20mm deep Astro Intu Mastic			
Floors:	The floors shall be a minimum of 150 mm thick. All concrete floors shall have at least the same fire rating as that required of the pipe collar.			
Application Technique:	Concrete/masonry floors: The Astro X Series CE Pipe Collar is folded around the pipe to the underside of the floor and mechanically face fixed utilising 3No. Fischer FSA ø8mm x 60mm long, with M6 hexagon head bolts			
Service Coat-Back:	Not required	U Value:	Not known	
Service Support Requirements:	Services should be rigidly supported via steel angles, hangars or channels, not further than 400 mm from the upper surface of the seal.			
Resistance to Smoke:	Not evaluated by this approval	Weather Capability:	Not evaluated by this approval	
Acoustic Rating:	Not evaluated by this approval	Movement Capability:	Not evaluated by this approval	



Astroflame Ltd
Unit 8, The I O Centre
Stephenson Road
Segensworth, Fareham
Hampshire, PO15 5RU

Tel: +44 (0) 1329 844500
Fax: +44 (0) 1329 844600
Email: sales@astroflame.com
Website: www.astroflame.com



ASTRO X-SERIES CE PIPE COLLAR®

Unique identification code of product-type: XSPC



Astro X Series CE Collar - Approval Matrix Floors 150mm

Product Name:		Astro X Series CE Collar - Installed Underside 150mm thick Rigid Floor		
Penetration Specification (PP Pipes)	Collar Ref Astro X Series CE Collar	Intumescent Material (mm)	Integrity	Insulation
32mm \varnothing 2.9mm wall thickness	32mm	30 x 4	240 mins	240 mins
40mm \varnothing 2.9mm wall thickness	40mm			
50mm \varnothing 2.9mm wall thickness	50mm			
55mm \varnothing 2.9 - 4.4mm wall thickness	55mm	30 x 6		
63mm \varnothing 2.9 - 4.4mm wall thickness	63mm			
75mm \varnothing 2.8 - 6.7mm wall thickness	75mm	30 x 8		
82mm \varnothing 2.8 - 6.7mm wall thickness	82mm			
90mm \varnothing 2.7 - 10mm wall thickness	90mm	30 x 10		
100mm \varnothing 2.7 - 10mm wall thickness	100mm			
110mm \varnothing 2.7 - 10mm wall thickness	110mm			
125mm \varnothing 3.1mm wall thickness	125mm	40 x 12		
140mm \varnothing 3.5 - 8mm wall thickness	140mm	40 x 16		
160mm \varnothing 4 - 14.6mm wall thickness	160mm	40 x 18		
* Performance in accordance with BS EN 1366-3: 2009				
Maximum Annulus:	10mm filled with min 20mm deep Astro Intu Mastic			
Floors:	The floors shall be a minimum of 150 mm thick. All concrete floors shall have at least the same fire rating as that required of the pipe collar.			
Application Technique:	Concrete/masonry floors: The Astro X Series CE Pipe Collar is folded around the pipe to the underside of the floor and mechanically face fixed utilising 3No. Fischer FSA \varnothing 8mm x 60mm long, with M6 hexagon head bolts			
Service Coat-Back:	Not required	U Value:	Not known	
Service Support Requirements:	Services should be rigidly supported via steel angles, hangars or channels, not further than 400 mm from the upper surface of the seal			
Resistance to Smoke:	Not evaluated by this approval	Weather Capability:	Not evaluated by this approval	
Acoustic Rating:	Not evaluated by this approval	Movement Capability:	Not evaluated by this approval	



Astroflame Ltd
Unit 8, The I O Centre
Stephenson Road
Segensworth, Fareham
Hampshire, PO15 5RU

Tel: +44 (0) 1329 844500
Fax: +44 (0) 1329 844600
Email: sales@astroflame.com
Website: www.astroflame.com



ASTRO X-SERIES CE PIPE COLLAR®

Unique identification code of product-type: XSPC



Astro X Series CE Collar - Approval Matrix Floors 150mm

Product Name:		Astro X Series CE Collar - Installed Underside 150mm thick Rigid Floor		
Penetration Specification (PE Pipes)	Collar Ref Astro X Series CE Collar	Intumescent Material (mm)	Integrity	Insulation
32mm \varnothing 2.9mm wall thickness	32mm	30 x 4	240 mins	240 mins
40mm \varnothing 2.9mm wall thickness	40mm			
50mm \varnothing 2.9mm wall thickness	50mm			
55mm \varnothing 2.9 - 4.4mm wall thickness	55mm	30 x 6		
63mm \varnothing 2.9 - 4.4mm wall thickness	63mm			
75mm \varnothing 2.8 - 6.7mm wall thickness	75mm	30 x 8		
82mm \varnothing 2.8 - 6.7mm wall thickness	82mm			
90mm \varnothing 2.7 - 10mm wall thickness	90mm	30 x 10		
100mm \varnothing 2.7 - 10mm wall thickness	100mm			
110mm \varnothing 2.7 - 10mm wall thickness	110mm			
125mm \varnothing 3.1mm wall thickness	125mm	40 x 12		
140mm \varnothing 3.9 - 5.8mm wall thickness	140mm	40 x 16		
160mm \varnothing 4.9 - 9.5mm wall thickness	160mm	40 x 18		
* Performance in accordance with BS EN 1366-3: 2009				
Maximum Annulus:	10mm filled with min 20mm deep Astro Intu Mastic			
Floors:	The floors shall be a minimum of 150 mm thick. All concrete floors shall have at least the same fire rating as that required of the pipe collar.			
Application Technique:	Concrete/masonry floors: The Astro X Series CE Pipe Collar is folded around the pipe to the underside of the floor and mechanically face fixed utilising 3No. Fischer FSA \varnothing 8mm x 60mm long, with M6 hexagon head bolts			
Service Coat-Back:	Not Required	U Value:	Not Known	
Service Support Requirements:	Services should be rigidly supported via steel angles, hangars or channels, not further than 400 mm from the upper surface of the seal			
Resistance to Smoke:	Not evaluated by this approval	Weather Capability:	Not evaluated by this approval	
Acoustic Rating:	Not evaluated by this approval	Movement Capability:	Not evaluated by this approval	



Astroflame Ltd
Unit 8, The I O Centre
Stephenson Road
Segensworth, Fareham
Hampshire, PO15 5RU

Tel: +44 (0) 1329 844500
Fax: +44 (0) 1329 844600
Email: sales@astroflame.com
Website: www.astroflame.com



ASTRO X-SERIES CE PIPE COLLAR®

Unique identification code of product-type: XSPC



Astro X Series CE Collar - Approval Matrix Rigid or Flexible Walls min 100mm

Product Name:	Astro X Series CE Collar - Installed Both faces 100mm thick Rigid Floor or Flexible Wall			
Penetration Specification (PVC-U Pipes)	Collar Ref Astro X Series CE Collar	Intumescent Material (mm)	Integrity	Insulation
32mm \varnothing 1.8mm wall thickness	32mm	30 x 4	120 mins	120 mins
40mm \varnothing 1.8mm wall thickness	40mm			
50mm \varnothing 1.8mm wall thickness	50mm			
55mm \varnothing 2.3 - 3mm wall thickness	55mm	30 x 6		
63mm \varnothing 2.3 - 3mm wall thickness	63mm			
75mm \varnothing 3.1 - 4.8mm wall thickness	75mm	30 x 8		
82mm \varnothing 3.1 - 4.8mm wall thickness	82mm			
90mm \varnothing 4.2 - 7.4mm wall thickness	90mm	30 x 10		
100mm \varnothing 4.2 - 7.4mm wall thickness	100mm			
110mm \varnothing 4.2 - 7.4mm wall thickness	110mm			
125mm \varnothing 6mm wall thickness	125mm	40 x 12		
140mm \varnothing 6.1 - 7.5mm wall thickness	140mm	40 x 16		
160mm \varnothing 6.2 - 9.5mm wall thickness	160mm	40 x 18		
* Performance in accordance with BS EN 1366-3: 2009				
Maximum Annulus:	10mm filled with min 20mm deep Astro Intu Mastic			
Walls:	The walls shall be a minimum of 100 mm thick. All walls shall have at least the same fire rating as that required of the pipe collar.			
Application Technique:	Concrete/masonry floors: The Astro X Series CE Pipe Collar is folded around the pipe both sides of the wall and mechanically face fixed utilising \varnothing 8mm x 65mm long Fischer FM 6x65S, steel toggle anchor.			
Service Coat-Back:	Not required	U Value:	Not Known	
Service Support Requirements:	Services should be rigidly supported via steel angles, hangars or channels, not further than 400 mm both faces of the wall			
Resistance to Smoke:	Not evaluation by this approval	Weather Capability:	Not evaluation by this approval	
Acoustic Rating:	Not evaluation by this approval	Movement Capability:	Not evaluation by this approval	



Astroflame Ltd
Unit 8, The I O Centre
Stephenson Road
Segensworth, Fareham
Hampshire, PO15 5RU

Tel: +44 (0) 1329 844500
Fax: +44 (0) 1329 844600
Email: sales@astroflame.com
Website: www.astroflame.com



ASTRO X-SERIES CE PIPE COLLAR®

Unique identification code of product-type: XSPC



Astro X Series CE Collar - Approval Matrix Rigid or Flexible Walls min 100mm

Product Name:	Astro X Series CE Collar - Installed Both faces 100mm thick Rigid Floor or Flexible Wall			
Penetration Specification (PP Pipes)	Collar Ref Astro X Series CE Collar	Intumescent Material (mm)	Integrity	Insulation
32mm ϕ 2.9mm wall thickness	32mm	30 x 4	120 mins	120 mins
40mm ϕ 2.9mm wall thickness	40mm			
50mm ϕ 2.9mm wall thickness	50mm			
55mm ϕ 2.9 - 4.4mm wall thickness	55mm	30 x 6		
63mm ϕ 2.9 - 4.4mm wall thickness	63mm			
75mm ϕ 2.8 - 6.7mm wall thickness	75mm	30 x 8		
82mm ϕ 2.8 - 6.7mm wall thickness	82mm			
90mm ϕ 2.7mm - 10mm wall thickness	90mm	30 x 10		
100mm ϕ 2.7 - 10mm wall thickness	100mm			
110mm ϕ 2.7 - 10mm wall thickness	110mm			
125mm ϕ 3.1mm wall thickness	125mm	40 x 12		
140mm ϕ 3.5 - 8mm wall thickness	140mm	40 x 16		
160mm ϕ 4 - 14.6mm wall thickness	160mm	40 x 18		
* Performance in accordance with BS EN 1366-3: 2009				
Maximum Annulus:	10mm filled with min 20mm deep Astro Intu Mastic			
Walls:	The walls shall be a minimum of 100 mm thick. All walls shall have at least the same fire rating as that required of the pipe collar.			
Application Technique:	Concrete/masonry floors: The Astro X Series CE Pipe Collar is folded around the pipe both sides of the wall and mechanically face fixed utilising ϕ 8mm x 65mm long Fischer FM 6x65S, steel toggle anchor.			
Service Coat-Back:	Not required	U Value:	Not Known	
Service Support Requirements:	Services should be rigidly supported via steel angles, hangars or channels, not further than 400 mm both faces of the wall			
Resistance to Smoke:	Not evaluated by this approval	Weather Capability:	Not evaluated by this approval	
Acoustic Rating:	Not evaluated by this approval	Movement Capability:	Not evaluated by this approval	



Astroflame Ltd
Unit 8, The I O Centre
Stephenson Road
Segensworth, Fareham
Hampshire, PO15 5RU

Tel: +44 (0) 1329 844500
Fax: +44 (0) 1329 844600
Email: sales@astroflame.com
Website: www.astroflame.com



ASTRO X-SERIES CE PIPE COLLAR®

Unique identification code of product-type: XSPC



Astro X Series CE Collar - Approval Matrix Rigid or Flexible Walls min 100mm

Product Name:	Astro X Series CE Collar - Installed Both faces 100mm thick Rigid Floor or Flexible Wall			
Penetration Specification (PE Pipes)	Collar Ref Astro X Series CE Collar	Intumescent Material (mm)	Integrity	Insulation
32mm \varnothing 2.9mm wall thickness	32mm	30 x 4	120 mins	120 mins
40mm \varnothing 2.9mm wall thickness	40mm			
50mm \varnothing 2.9mm wall thickness	50mm			
55mm \varnothing 2.9 - 4.4mm wall thickness	55mm	30 x 6		
63mm \varnothing 2.9 - 4.4mm wall thickness	63mm			
75mm \varnothing 2.8 - 6.7mm wall thickness	75mm	30 x 8		
82mm \varnothing 2.8 - 6.7mm wall thickness	82mm			
90mm \varnothing 2.7 - 10mm wall thickness	90mm	30 x 10		
100mm \varnothing 2.7mm - 10mm wall thickness	100mm			
110mm \varnothing 2.7mm - 10mm wall thickness	110mm			
125mm \varnothing 3.1mm wall thickness	125mm	40 x 12		
140mm \varnothing 3.5 - 8mm wall thickness	140mm	40 x 16		
160mm \varnothing 4 - 14.6mm wall thickness	160mm	40 x 18		
* Performance in accordance with BS EN 1366-3: 2009				
Maximum Annulus:	10mm filled with min 20mm deep Astro Intu Mastic			
Walls:	The walls shall be a minimum of 100 mm thick. All walls shall have at least the same fire rating as that required of the pipe collar.			
Application Technique:	Concrete/masonry floors: The Astro X Series CE Pipe Collar is folded around the pipe both sides of the wall and mechanically face fixed utilising \varnothing 8mm x 65mm long Fischer FM 6x65S, steel toggle anchor.			
Service Coat-Back:	Not required	U Value:	Not Known	
Service Support Requirements:	Services should be rigidly supported via steel angles, hangars or channels, not further than 400 mm both faces of the wall			
Resistance to Smoke:	Not evaluated by this approval	Weather Capability:	Not evaluated by this approval	
Acoustic Rating:	Not evaluated by this approval	Movement Capability:	Not evaluated by this approval	



Astroflame Ltd
Unit 8, The I O Centre
Stephenson Road
Segensworth, Fareham
Hampshire, PO15 5RU

Tel: +44 (0) 1329 844500
Fax: +44 (0) 1329 844600
Email: sales@astroflame.com
Website: www.astroflame.com

